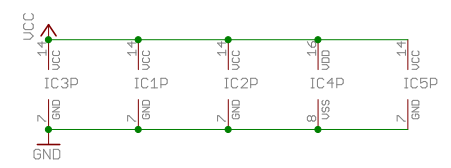
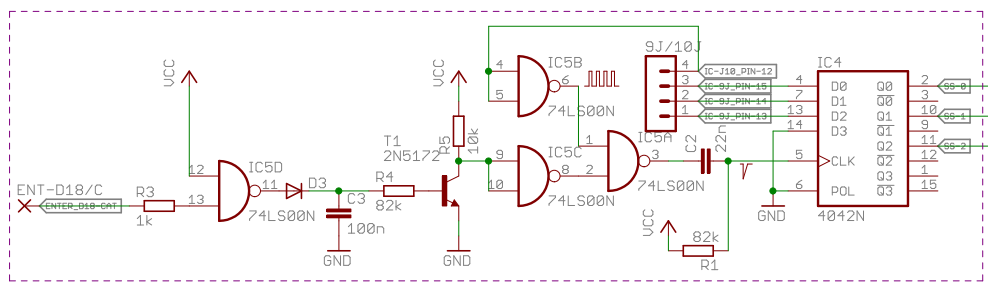
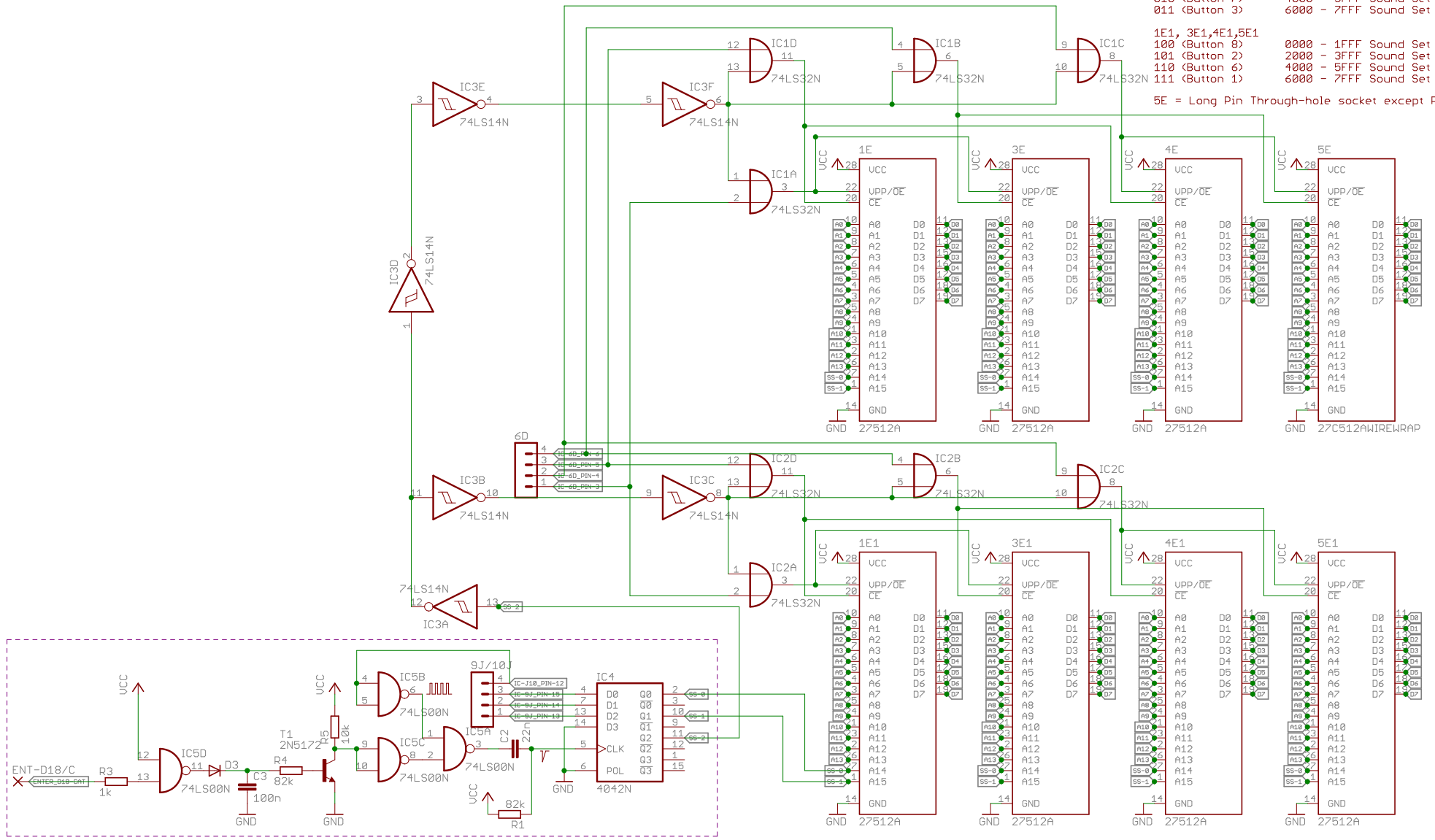


1E, 3E, 4E, 5E ADDR  
 000 (Button 5) 0000 - 1FFF Sound Set 5  
 001 (Button 4) 2000 - 3FFF Sound Set 4  
 010 (Button 7) 4000 - 5FFF Sound Set 7  
 011 (Button 3) 6000 - 7FFF Sound Set 3

1E1, 3E1, 4E1, 5E1  
 100 (Button 8) 0000 - 1FFF Sound Set 8  
 101 (Button 2) 2000 - 3FFF Sound Set 2  
 110 (Button 6) 4000 - 5FFF Sound Set 6  
 111 (Button 1) 6000 - 7FFF Sound Set 1

5E = Long Pin Through-hole socket except PIN 1, 27, 20, 22



ENT-D18/C

1E 27512A

3E 27512A

4E 27512A

5E 27512A

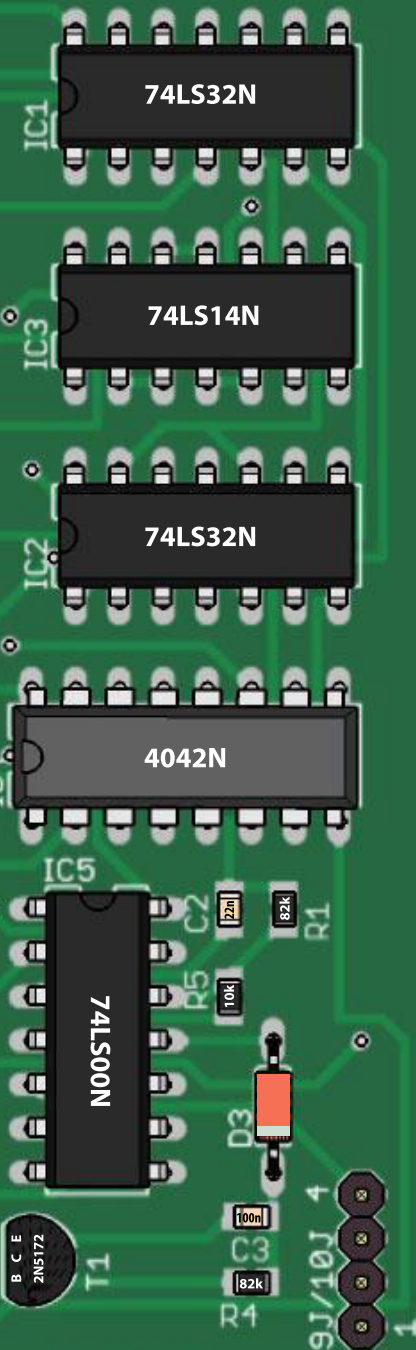
1E1 27512A

3E1 27512A

4E1 27512A

5E1 27512A

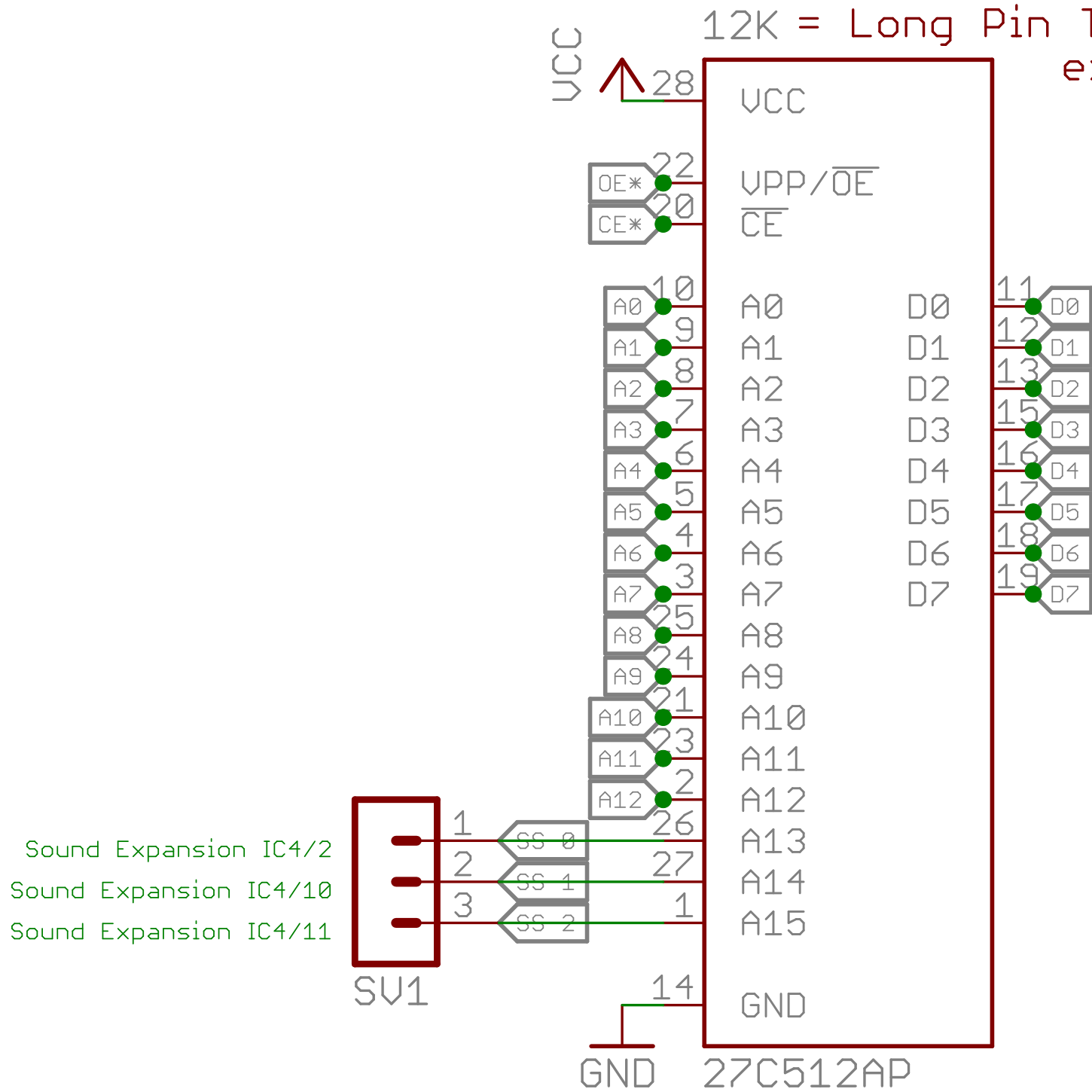
5E = Long Pin Through-hole socket  
after soldering cut Pin 1, 20, 22, 27

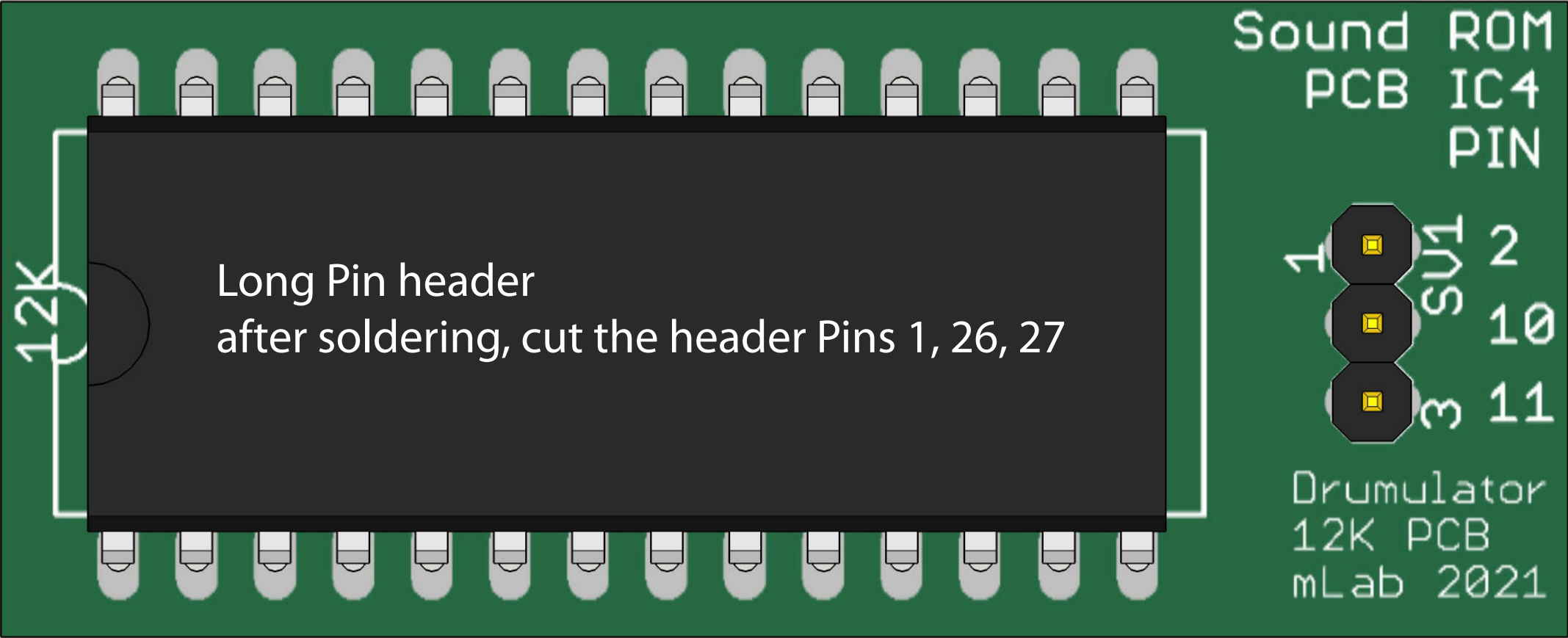


EMU Drumulator Sound Expansion mLab.midisoft.de

Rolf Meurer 2021

12K = Long Pin Through-hole socket  
except PIN 1, 26, 27





Sound ROM  
PCB IC4  
PIN

Long Pin header  
after soldering, cut the header Pins 1, 26, 27

1  
SUN  
3  
2  
10  
11

Drumulator  
12K PCB  
mLab 2021

12K

