

THE DUINO REM328

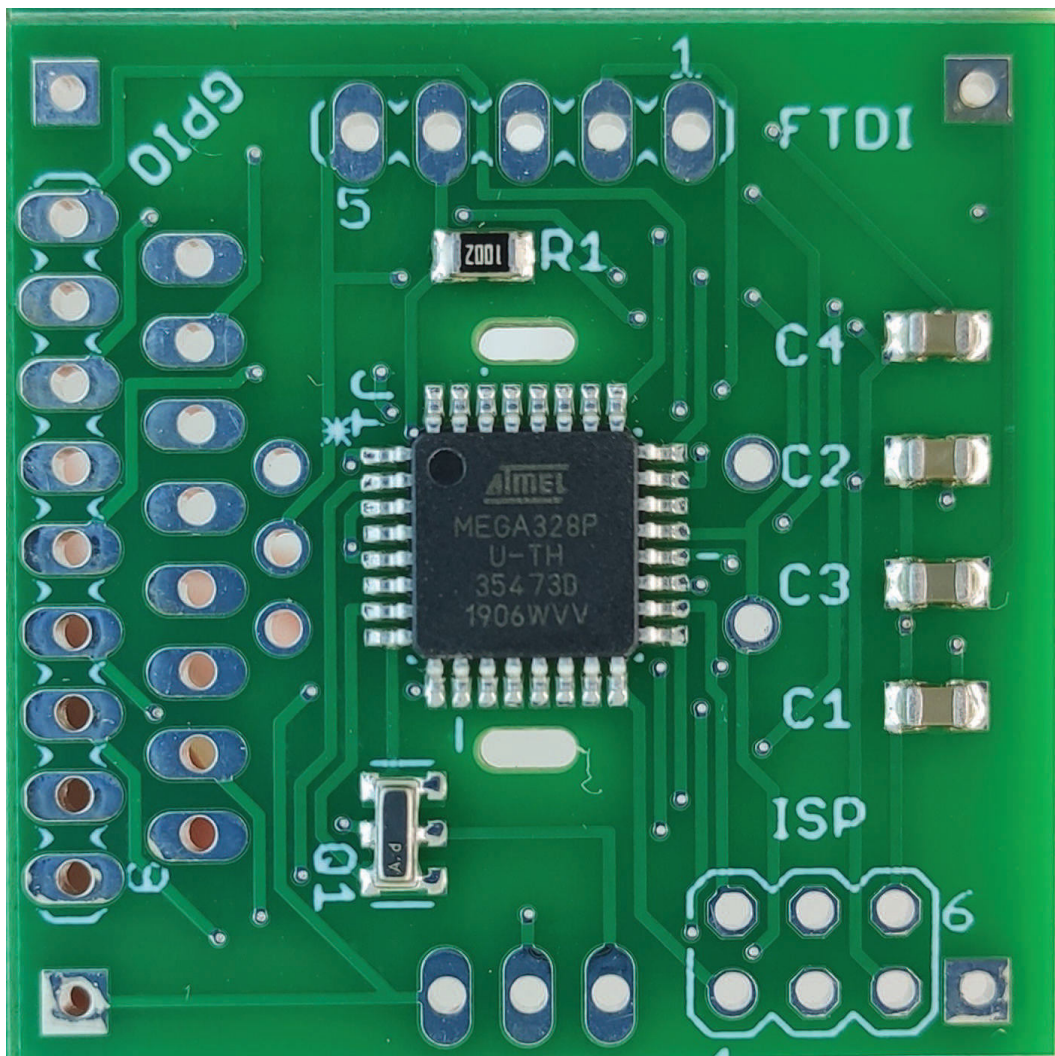
Rotary Encoder Module with ATMEGA 328 MCU

with plug & play support for:

Rotary Encoder

OLED-Display

Color TFT-Display & Neopixel LEDs



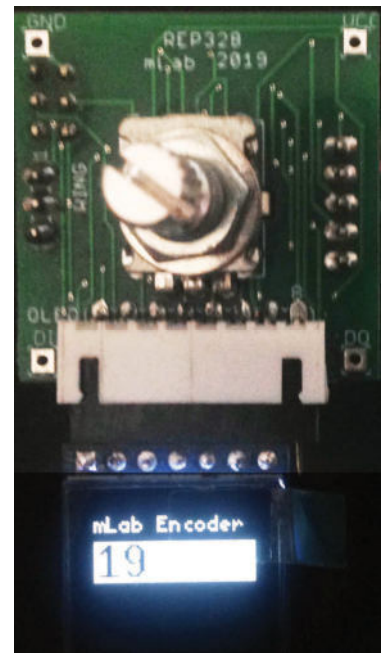
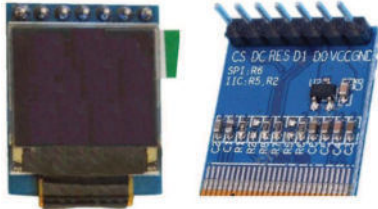
Designed by R.Meurer mLab.midisoft.de

THE DUINO REP328 Plug & Play Tested with:

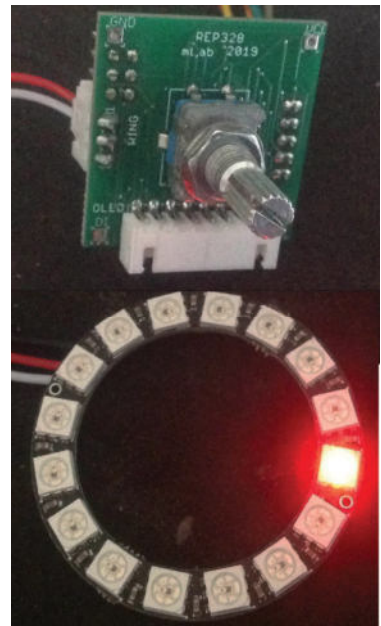
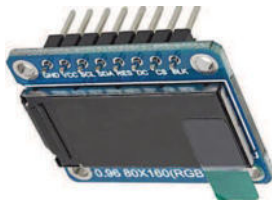
ENCODER: EC11, EC12 ...



OLED: Monochrome 7-pin SSD1306 0.66" 64x48
OLED display SPI 4-wire, SPI 3-wire, and IIC



TFT: 0.96 Inch 8-Pin HD Color IPS
TFT Display SPI ST7735S



NEOPIXEL: WS2812 LED Ring



ARDUINO:

The REP328 comes ready to go with an ARDUINO BOOTLOADER.
If you like, you can burn your own bootloader with the ARDUINO IDE via ISP

The REP328 is already flashed with a sketch, supporting encoder, OLED, Color TFT & NEOPIXEL LEDs.

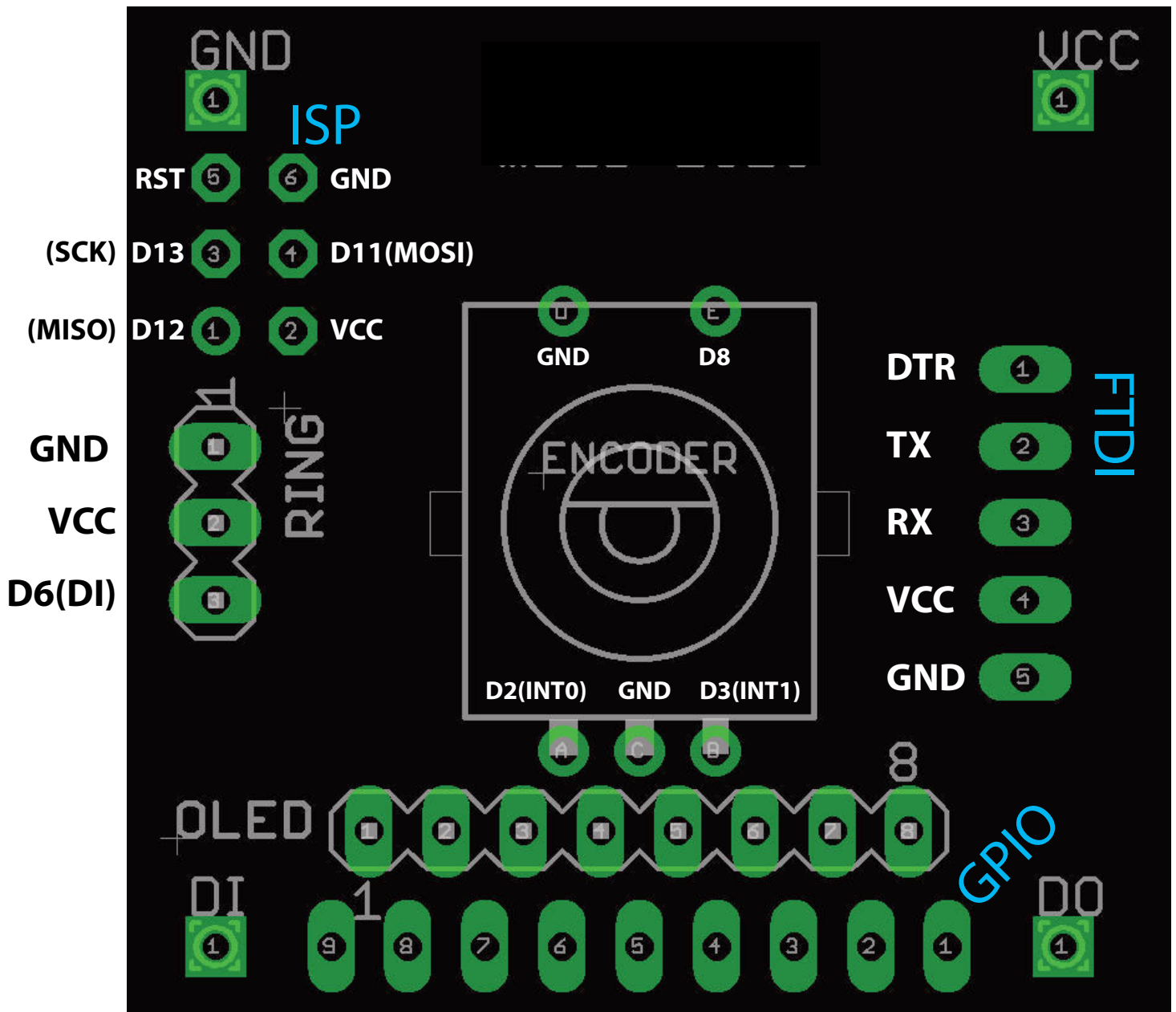
This sketch recognizes automatically the display types described above 7Pin & 8Pin.
You can upload your own sketch with the ARDUINO IDE via FTDI or ISP.

We recommend a standard 5V USB to TTL Serial adapter for Arduino PRO Mini to upload your sketches. (e.g. Silicon Labs CP210x USB to UART Bridge) it's cheap and reliable!

Arduino Setup for sketch uploads:

Board	Pro Mini
Processor	ATmega328P (5V, 16MHz)
Port	The COM port # of your USB to TTL adapter
Programmer	AVRISP mkII

REM328 Pinout

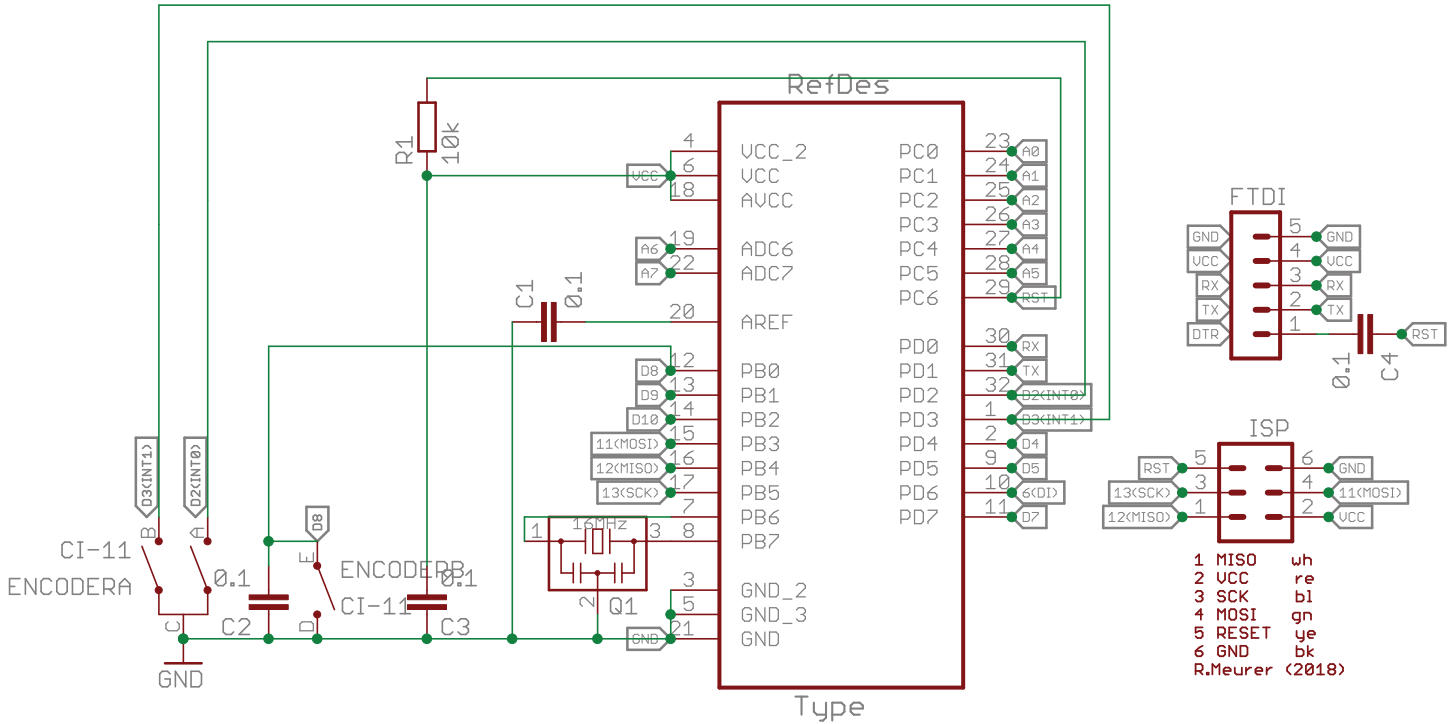


OLED

- 1 GND
- 2 VCC
- 3 D13(SCK)
- 4 D11(MOSI)
- 5 D7
- 6 D9
- 7 D10
- 8 D5

GPIO

- 1 A0
- 2 A1
- 3 A2
- 4 A3
- 5 A4
- 6 A5
- 7 A6
- 8 A7
- 9 D4



- 1 MISO wh
 - 2 VCC re
 - 3 SCK bl
 - 4 MOSI gn
 - 5 RESET ye
 - 6 GND bk
- R.Meurer (2018)

